

Guinevere® Self-Rimming Lavatory

FEATURES

- 28-1/8" x 19-5/8"
- Front overflow
- Vitreous china
- ADA compliant
- Complete with installation template

MODELS

- LT971
Lavatory with single hole faucet center
- LT971.4
Lavatory with 4" faucet centers
- LT971.8
Lavatory with 8" faucet centers



COLORS/FINISHES

- #01 Cotton
- #03 Bone
- #11 Colonial White
- #12 Sedona Beige
- #51 Ebony

CODES/STANDARDS

- Meets and exceeds ASME A112.19.2/CSA B45.1
- Certifications: IAPMO(cUPC), State of Massachusetts, City of Los Angeles, and others
- ADA compliant
- Code compliance: UPC, IPC, NSPC, NPC Canada, and others



PRODUCT SPECIFICATION

The self-rimming lavatory shall be made of vitreous china. Lavatory shall be 28-1/8" in length and 19-5/8" in width. Product shall be with overflow and lavatory shall include mounting assembly and be ADA compliant. Lavatory shall be TOTO Model LT971_____.

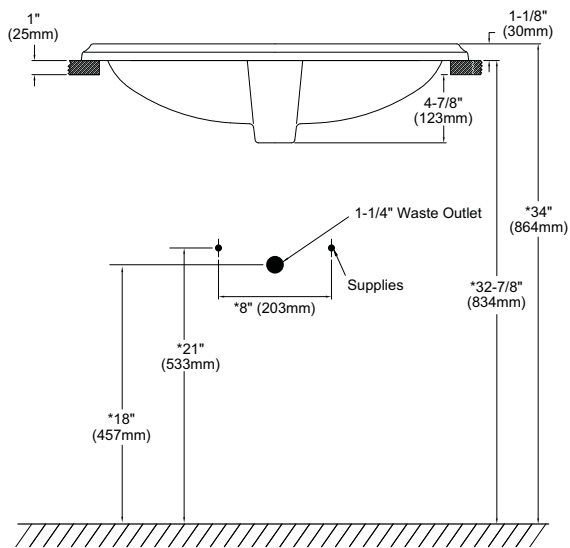
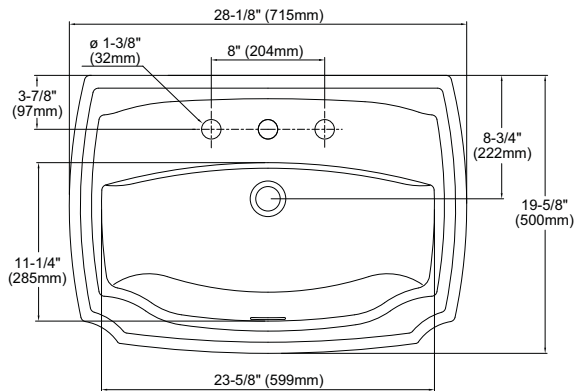
LT971

Guinevere® Self-Rimming Lavatory

SPECIFICATIONS

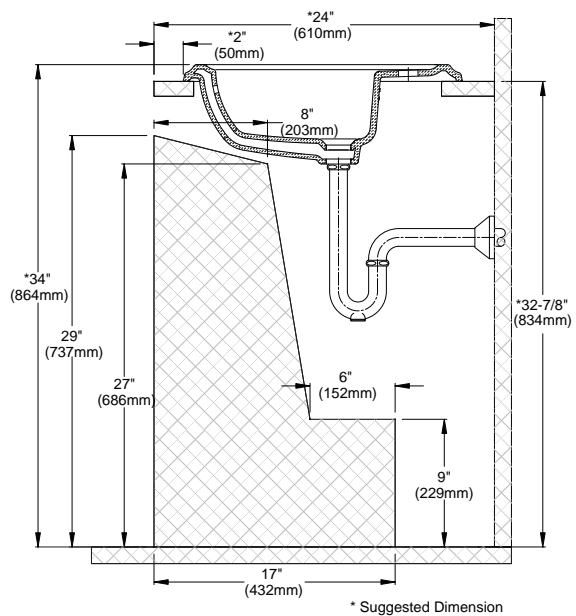
- Waste 1-1/4" O.D.
- Size 28-1/8"W x 19-5/8" D
- Basin 23-5/8"W x 11-1/4" D
- Warranty One Year Limited Warranty
- Material Vitreous china
- Shipping Weight 34.5 lbs.
- Shipping Dimensions 29"W x 21-1/4" D x 9"H

INSTALLATION NOTES



*Suggested Dimension

ADA Compliance Check



* Suggested Dimension



These dimensions and specifications are subject to change without notice